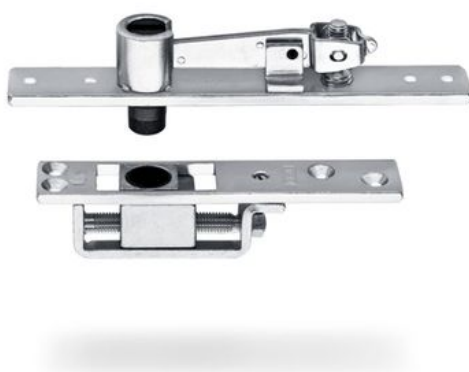


# Product data sheet

# Pivot hinge for double-action doors



Model C, suitable for C, CM, S door rail

## AREAS OF APPLICATION

- Can be combined with door rails model C, CM, S
- Metal and timber doors
- Double-action doors

# Pivot hinge for double-action doors



## PRODUCT FEATURES

→ Adjustable pivot point

## TECHNICAL DATA

Productname	Pivot hinge for double-action doors
Hold-open of fire protection doors	No

## VARIANTS / ORDER INFO

Designation	Description	Ident-No.	Colour
Adjustable pivot hinge	Model C, suitable for C, CM, S door rail	006666	Galvanised
Adjustable pivot hinge	Model C, suitable for C, CM, S door rail	000904	Galvanised
Adjustable pivot hinge	Model C, suitable for C, CM, S door rail	000905	Galvanised