

ECdrive T2 ECdrive T2-FR

Girder section installation
with side panel

Lintel installation with
side panel

180523-00

EN Installation and service instructions

Contents

1	Introduction.....	3
1.1	Symbols and illustrations	3
1.2	Revisions and validity	3
1.3	Product liability	3
1.4	Reference documents.....	3
1.5	Abbreviations.....	3
2	Fundamental safety precautions	4
2.1	Intended use.....	4
2.2	Safety notices.....	4
2.3	Safety-conscious working	5
2.4	Environmentally conscious working.....	5
2.5	Safety instructions related to transportation and storage.....	5
2.6	Qualification	5
3	About this document.....	6
3.1	Overview.....	6
3.2	Girder section installation with side panel	6
3.3	Lintel installation with side panel.....	6
4	Overview.....	7
4.1	Diagrams.....	7
4.2	Tools and aids.....	7
4.3	Torques.....	7
4.4	Component overview	8
4.5	Set-up.....	9
5	Installation.....	10
5.1	Preparations to be made on site.....	10
5.2	Preparatory installation work.....	10
5.3	Girder section installation	10
5.3.1	Drilling holes in girder section profile A	11
5.3.2	Installing side strip	11
5.3.3	Installing the side panel for the girder section	12
5.3.4	Installing the floor strip for the side panel.....	12
5.3.5	Fixing block, installation at the bottom of the side panel	13
5.3.6	Installing girder section profile A	13
5.4	Installing side parts.....	14
5.5	Screwing girder section profile B to girder section profile A	17
5.6	Installing the track to girder section profile A	18
5.6.1	Screw the side panels to the track	18
5.6.2	Install the track.....	18
5.7	Lintel installation (installation in front of wall).....	19
6	Disassembly.....	20



1 Introduction

1.1 Symbols and illustrations

Warning notices




Warning notices are used in these instructions to warn you of property damage and personal injury.

- ▶ Always read and observe these warning notices.
- ▶ Observe all measures marked with the warning symbol and warning word.

Warning symbol	Warning word	Meaning
	WARNING	Danger to persons. Non-compliance can result in death or serious injuries.
	CAUTION	Danger to persons. Non-compliance may lead to minor injuries.

More symbols and illustrations

Important information and technical notes are highlighted to explain correct operation.

Symbol	Meaning
	means "important note". Information to prevent property damage, to understand or optimise the operation sequences.
	means "additional Information"
	Symbol for an action: This means you have to do something. ▶ If there are several actions to be taken, keep to the given order.

1.2 Revisions and validity

Version 00: Valid for version ECdrive T2 and ECdrive T2-FR from model year 2019.

1.3 Product liability

In compliance with the liability of the manufacturer for his products as defined in the German "Product Liability Act", compliance with the information contained in this brochure (product information and intended use, misuse, product performance, product maintenance, obligations to provide information and instructions) must be ensured. Failure to comply releases the manufacturer from his statutory liability.

1.4 Reference documents

Type	Name
Wiring diagram	DCU1-NT DCU1-2M-NT
User manual	DCU1-NT DCU1-2M-NT DCU1-2M
Faults and corrective measures	DCU1 DCU1-2M
Cable plan	Single leaf Double leaf
Safety analysis	
Installation instructions	Leaf and side panel profile systems
Installation instructions	ECdrive T2

The diagrams are subject to change without notice. Use only the most recent version.

1.5 Abbreviations

- OKFF Finished floor level
- DH Passage height

2 Fundamental safety precautions

2.1 Intended use

The sliding door system is used for the automatic opening and closing of a building passage.

The sliding door system may only be used in a vertical installation position and in dry rooms within the permitted application area (see installation and service instructions).

The sliding door system is designed for pedestrian traffic in buildings.

The sliding door system is not designed for the following uses:

- for industrial use
- for area of application which do not serve pedestrian traffic (such as garage doors)
- on mobile objects such as ships

The sliding door system may only be used:

- in the modes of operation provided for by GEZE
- with the components approved / released by GEZE
- with the software delivered by GEZE
- in the installation variants / types of installation documented by GEZE
- within the tested/approved area of application (climate / temperature / IP rating)

Any other use is considered non-intended and will lead to the exclusion of all liability and warranty claims to GEZE.

2.2 Safety notices

- Intervention and modifications which influence the safety technology and functionality of the door system may only be carried out by GEZE.
- Problem-free and safe operation assumes proper transportation, proper set-up and installation, qualified operation and correct maintenance have taken place.
- The relevant accident prevention regulations and other generally recognised safety-related or health & safety rules must be kept.
- Only original accessories, original spare parts and accessories approved by GEZE guarantee problem-free function of the door system.
- The mandatory installation, maintenance and repair work must be performed by properly trained personnel authorised by GEZE.
- The country-specific laws and regulations are to be observed during safety-related tests.
- If unauthorised changes are made to the system, GEZE cannot be held liable in any way whatsoever for any resulting damage, and the approval for use in escape and rescue routes ceases.
- GEZE does not accept any warranty for combinations with third-party products.
- Furthermore, only original GEZE parts may be used for repair and maintenance work.
- The connection to the mains voltage must be made by a professional electrician. Perform the power connection and equipment earth conductor test in accordance with VDE 0100 Part 610.
- Use an on-site 10-A overload cut-out as the line-side disconnecting device.
- Protect the display programme switch against unauthorised access.
- In compliance with Machinery Directive 2006/42/EC, a risk analysis must be performed and the door system identified in accordance with CE Marking Directive 93/68/EEC before the door system is commissioned.
- Observe the current status of directives, standards and country-specific regulations, especially:
 - DIN 18650: 2010-06 "Building hardware– Powered pedestrian doors"
 - VDE 0100, Part 610: 2004-04 "Installing Electrical Power Systems with Nominal Voltages up to 1000 V"
 - DIN EN 16005: 2013-01 "Power operated pedestrian doorsets; safety in use; Requirements and test methods"
 - DIN EN 60335-1: 2012-10 "Safety of electrical devices for home use and similar purposes - Part 1: General requirements (IEC 60335-1: 2010, modified), German version EN 60335-1: 2012
 - DIN EN 60335-2-103: 2016-05 "Safety of electrical devices for home use and similar purposes - Part 2-103: Special requirements for drives for gates, doors and windows. (IEC 60335-2-103: 2006, modified + A1: 2010, modified), German version EN 60335-2-103: 2015



The product should be installed or incorporated in such a way that effortless access to the product is guaranteed during any repairs and/or maintenance, and that any removal costs do not stand out of proportion to the value of the product

2.3 Safety-conscious working

- Secure workplace against unauthorised entry.
- Watch the swivelling range of long system parts.
- Never carry out work with a high safety risk (e.g. installing the drive, cover or door leaf) while alone.
- Secure the cover/drive panels against falling.
- Secure non-fixed components to prevent them falling.
- Only use the cables prescribed in the cable plan provided. Cables must be shielded in compliance with the wiring diagram.
- Secure loose, internal drive cables with cable ties.
- Before working on the electrical system:
 - Disconnect the drive from the 230 V mains and secure it against being switched back on again. Check isolation from power supply.
 - Disconnect the control unit from the 24 V rechargeable battery.
- When an Uninterruptible Power Supply (UPS) is used, the system will still be under voltage even when disconnected from the mains.
- Always use insulated wire-end ferrules for wire cores.
- Make sure of sufficient lighting.
- Use safety glass.
- Attach safety stickers to glass door leaves.
- Danger of injury with opened drive. Hair, clothing, cables, etc. can be drawn in by rotating parts!
- Danger of injury caused by unsecured crushing, impact, drawing-in or shearing spots!
- Danger of injury due to broken glass. Always only use safety glass.
- Danger of injury due to sharp edges on the drive and door leaf!
- Danger of injury during installation through freely moving parts!

2.4 Environmentally conscious working

- When disposing of the door system, separate the different materials and have them recycled.
- Do not dispose of batteries and rechargeable batteries with household waste.
- Comply with the statutory regulations when disposing of the door system and the batteries/storage cells.

2.5 Safety instructions related to transportation and storage

- ▶ Do not throw, do not drop.
- ▶ Avoid strong blows.
- Storage temperatures under $-30\text{ }^{\circ}\text{C}$ and above $+60\text{ }^{\circ}\text{C}$ can result in damage to the device.
- Protect against humidity.
- ▶ Use special glass transport devices (e.g. A-frames) for transporting glass.
- ▶ Separate several panels on a frame or during storage using intermediate layers (e.g. cork pads, paper or plastic cords).
- ▶ Always store glass in a vertical position on level and load-bearing ground. Use suitable material as a support (e.g. wooden slats).
- ▶ In the case of insulated glass, make sure that it is placed flush across the entire element thickness on at least 2 supports.
- During storage and support, safety devices must not cause any damage to the glass or edge seal of insulated glass and must be attached flat on the pane surface.
- Dry, well ventilated, closed, weather-proof and UV-protected rooms are suitable as storage areas.

2.6 Qualification

Installation of the GEZE sliding door drive may only be carried out by experts authorised by GEZE.

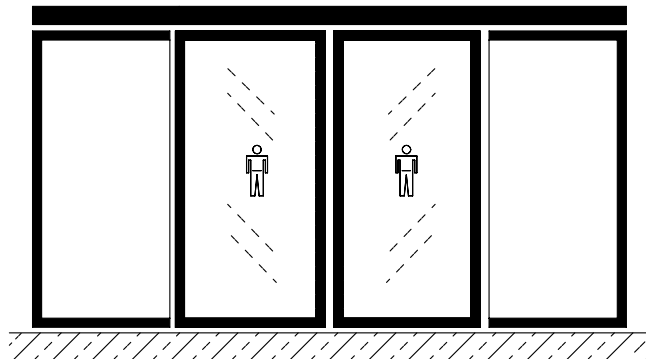
3 About this document

3.1 Overview

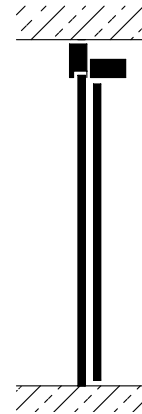
These instructions describe the installation of the automatic sliding door drive ECdrive T2 / ECdrive T2-FR with self-supporting girder section.

3.2 Girder section installation with side panel

View from the front

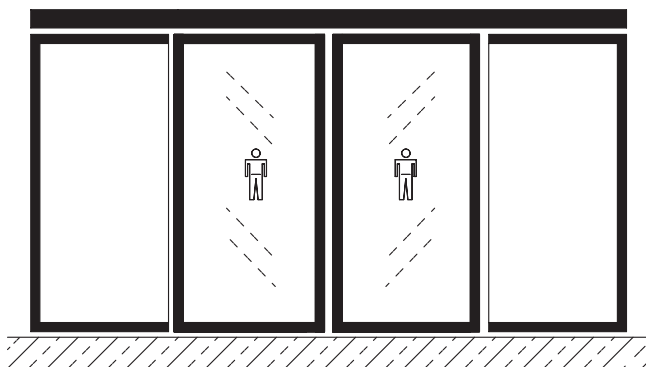


View from the side



3.3 Lintel installation with side panel

View from the front



View from the side



4 Overview

4.1 Diagrams

Drawing no.	Type	Name
70518-ep09	Assembly group drawing	ECdrive T2 ISO girder section installation 1-leaf
70518-ep10	Assembly group drawing	ECdrive T2 ISO girder section installation 2-leaf
70518-ep11	Assembly group drawing	ECdrive T2 ESG girder section installation 1-leaf
70518-ep12	Assembly group drawing	ECdrive T2 ESG girder section installation 2-leaf
70518-ep13	Assembly group drawing	ECdrive T2 ISO lintel installation 1-leaf
70518-ep14	Assembly group drawing	ECdrive T2 ISO lintel installation 2-leaf
70518-ep15	Assembly group drawing	ECdrive T2 ESG lintel installation 1-leaf
70518-ep16	Assembly group drawing	ECdrive T2 ISO lintel installation 2-leaf
70518-ep25	Assembly group drawing	ECdrive T2 ISO girder section Lock A 1-leaf
70518-ep26	Assembly group drawing	ECdrive T2 ISO girder section Lock A 2-leaf
70518-ep27	Assembly group drawing	ECdrive T2 ISO girder section Lock M 1-leaf
70518-ep28	Assembly group drawing	ECdrive T2 ISO girder section Lock M 2-leaf
70518-ep31	Assembly group drawing	ECdrive T2 ISO lintel installation Lock M 1-leaf
70518-ep32	Assembly group drawing	ECdrive T2 ISO lintel installation Lock M 2-leaf
70518-9-0961	Drilling instructions	Girder section profile A EC 72
70518-9-0962	Drilling instructions	Girder section profile B EC 72
70717-2-0269	Drilling instructions	Girder section profile
70717-2-0270	Drilling instructions	Girder section cover profile
70518-2-0226	Drilling instructions	Girder section profile B drilled
70717-2-0260	Drilling instructions	Girder section drilled for lintel installation
70717-2-0261	Drilling instructions	Girder section cover drilled for lintel installation

The diagrams are subject to change without notice. Use only the most recent version.



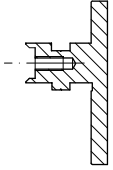
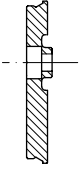
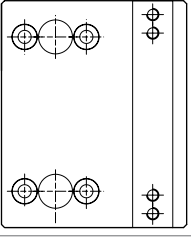
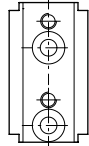
4.2 Tools and aids

Tool	Size
Torque spanner	3–15 Nm
Set of Allen keys	up to size 6 mm
Open-ended spanner	8 mm, 10 mm, 13 mm, 17 mm
Screwdriver set	up to 6 mm
Electric drill	–
Drill bit for stone	–
Drill bit for metal	–

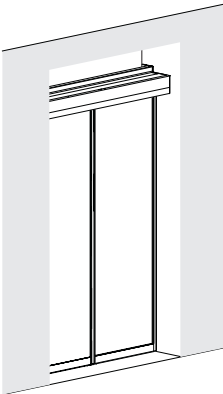
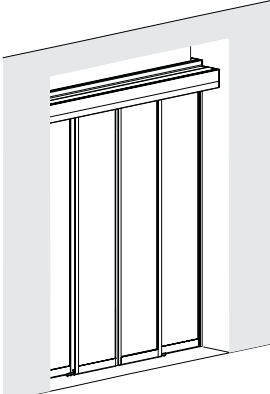
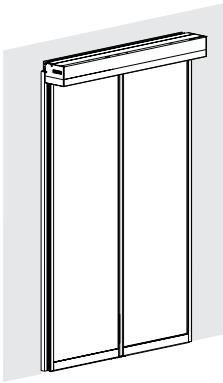
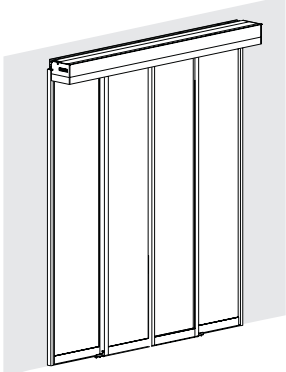
4.3 Torques

The torques are given with the respective installation step.

4.4 Component overview

Component	Door type	Girder section type	Sketch
Girder section for girder section installation	ECdrive T2	Girder section profile A	
Girder section for girder section installation	ECdrive T2	Girder section profile B	
Girder section for lintel installation	ECdrive T2	Girder section profile	
Girder section for lintel installation	ECdrive T2	Girder section cover profile	
Side panel wide	ECdrive T2	Side panel A	
Side panel narrow	ECdrive T2	Side panel B	

4.5 Set-up

Representation	Door type	Door leaf	Girder section type	Attachment
 <p>Girder section installation</p>	1-leaf	ISO and ESG	for girder section installation	Side panel A and B
 <p>Girder section installation</p>	2-leaf	ISO and ESG	for girder section installation	Side panel A and B
 <p>Lintel installation (with side elements in front of the wall)</p>	1-leaf	ISO and ESG	for lintel installation	directly on the lintel
 <p>Lintel installation (with side elements in front of the wall)</p>	2-leaf	ISO and ESG	for lintel installation	directly on the lintel


5 Installation


- ! ▶ Secure workplace against unauthorised entry.
 - ▶ Always work with a second person.
 - ▶ Use a stepladder or stepstool.
 - ▶ Keep inside area of track clean.
-

5.1 Preparations to be made on site

- ! ▶ Check the preparations made on site by the customer to ensure proper installation:
 - Type and load capacity of the façade construction or suspending frame
 - Evenness of the installation surface
 - Evenness of the finished floor level
 - Cable plan requirements
-

5.2 Preparatory installation work

-  **WARNING**
Danger of injury!
 - ▶ Secure workplace against unauthorised entry.
 - ▶ With 1-leaf doors always perform work with at least a second person.
 - ▶ With 2-leaf doors always perform work with at least three persons.
 - ▶ Use at least two stepladders or stepstools.
-

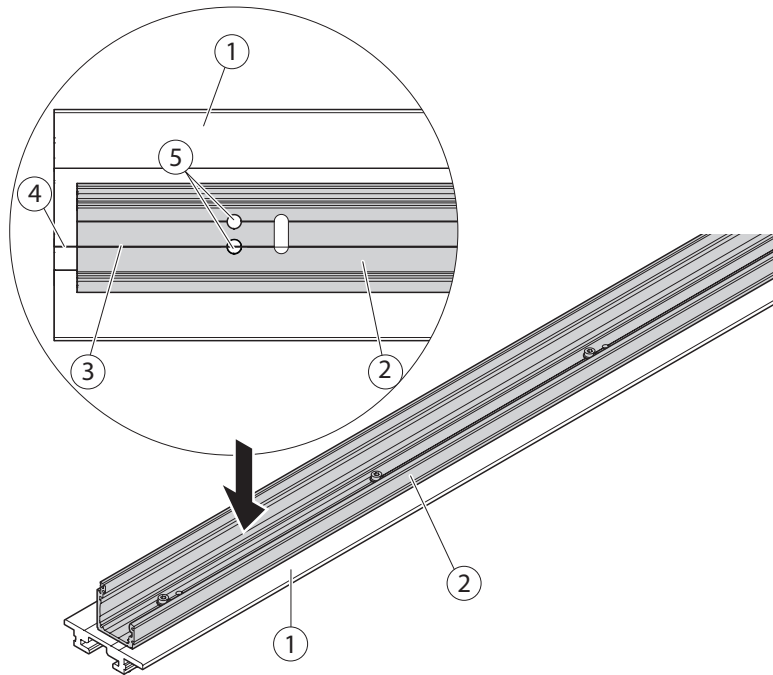
 The following chapter describes installation of the girder section for girder section installation and for lintel installation.

5.3 Girder section installation

- ! ▶ If (small) side panels are used, ensure that the space between the edge of the wall and the drill hole is large enough.
-

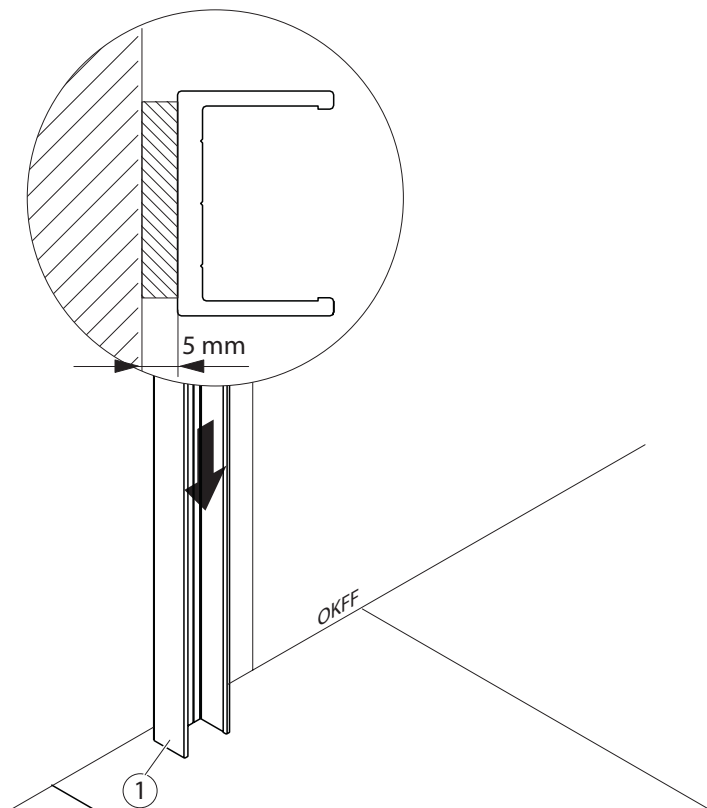
 The type of the side panels depends on the type of installation (see Chapter 4.4).

5.3.1 Drilling holes in girder section profile A



- ▶ Place the track (2) on girder section A (1) in such a way that the groove (3) of the track is on the groove (4) of the girder section.
- ▶ Score the drill holes (5) on the girder section.
- ▶ Drill the holes in accordance with the drilling instructions (70518-9-0961).

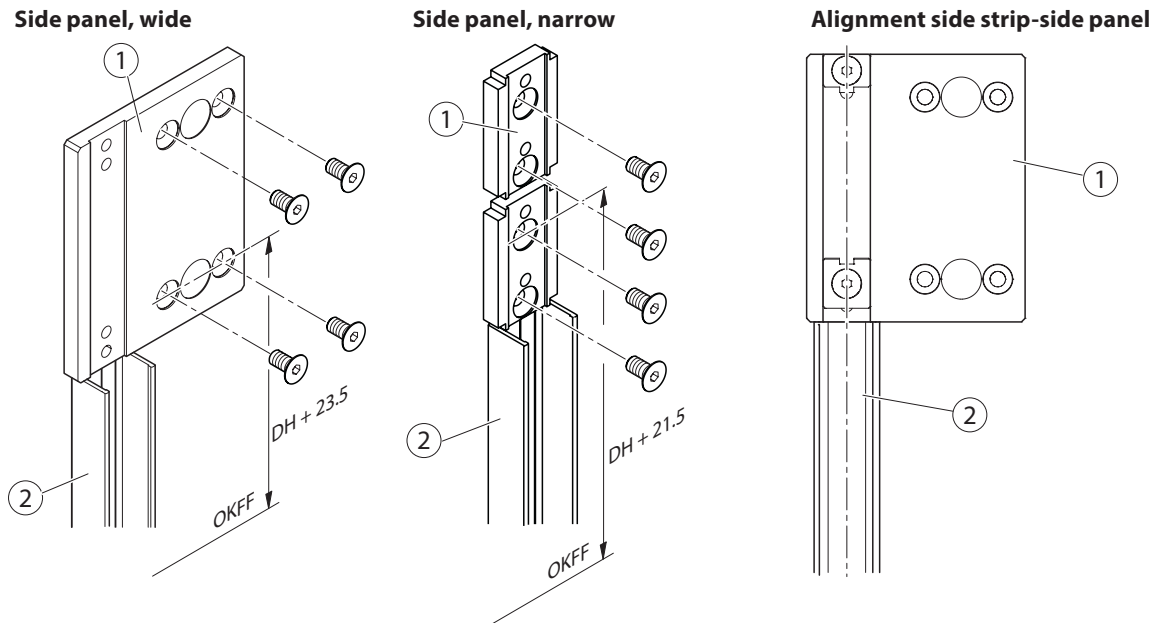
5.3.2 Installing side strip



- ▶ Set the side strip (1) in place, align and screw to the wall at a gap of 5 mm.
- ▶ Compensate any unevenness.

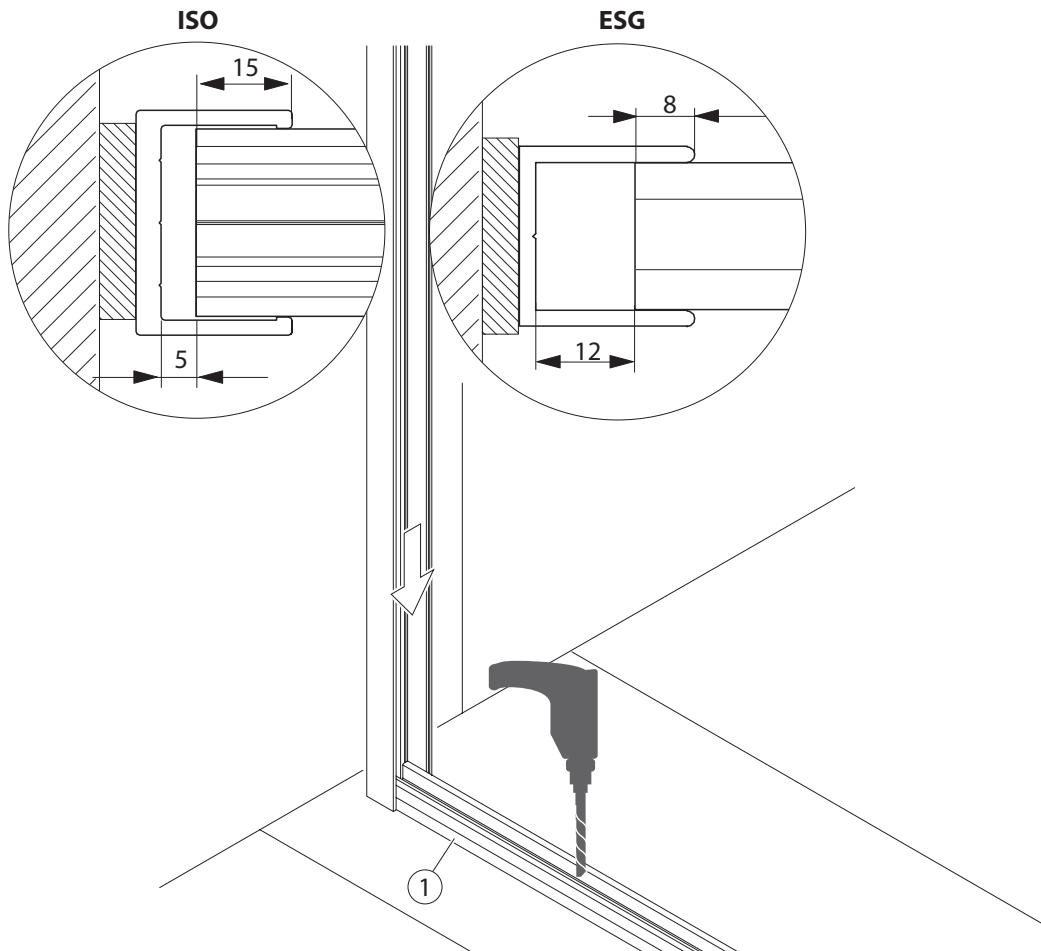
5.3.3 Installing the side panel for the girder section

i Depending on the installation environment, a wide or a narrow side panel can be installed.



► Fit the side panel (1) over the side strip (2) and screw in place using 4 countersunk screws.

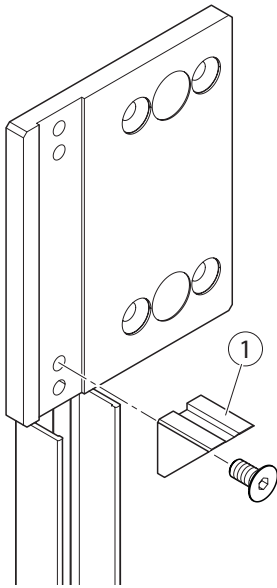
5.3.4 Installing the floor strip for the side panel



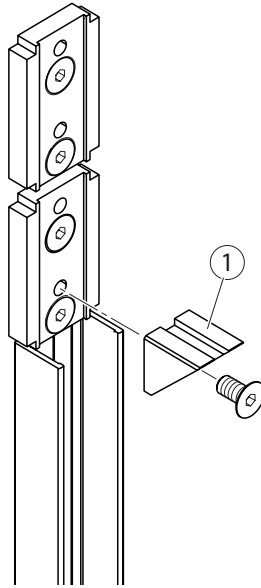
► Screw the floor strip (1) to the ground as shown in the above dimension diagrams.

5.3.5 Fixing block, installation at the bottom of the side panel

Side panel, wide



Side panel, narrow



- ▶ Screw the bottom fixing block (1) to the side panel using countersunk screw M8×16 (tightening torque 24 Nm).

5.3.6 Installing girder section profile A

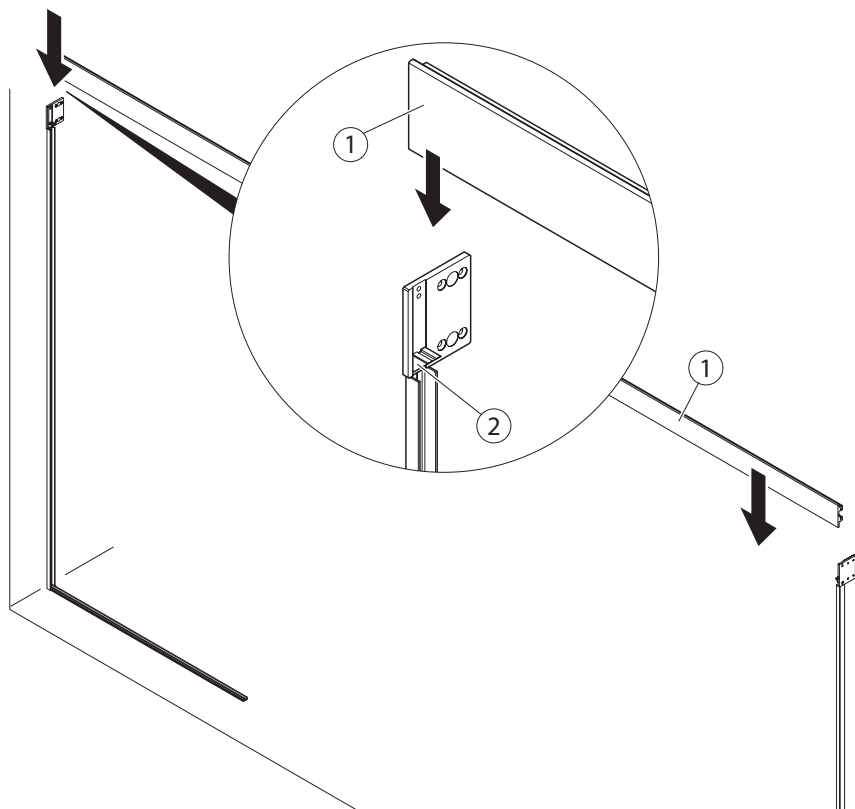


WARNING!

Danger of injury due to falling component

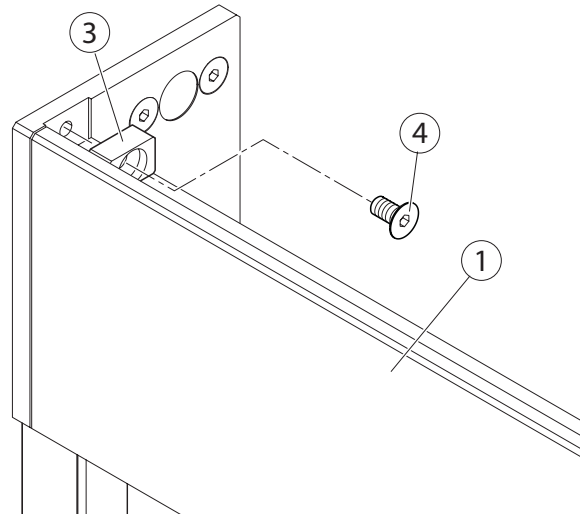
Girder section profile A is very heavy and unwieldy.

- ▶ At least 3 people should work on the installation of girder section profile A.
- ▶ Do not stand under the girder section during installation.



- ▶ Place girder section profile A (1) onto the bottom fixing block (2).

- ▶ Screw the top fixing block (3) to the side panel using countersunk screw M8× 16 (4) (tightening torque 24 Nm). Girder section profile A (1) is fixed in place.



5.4 Installing side parts



WARNING!

Danger of injury! The side panels are very heavy and can tilt over.

- ▶ Secure the side panels against tilting during installation.

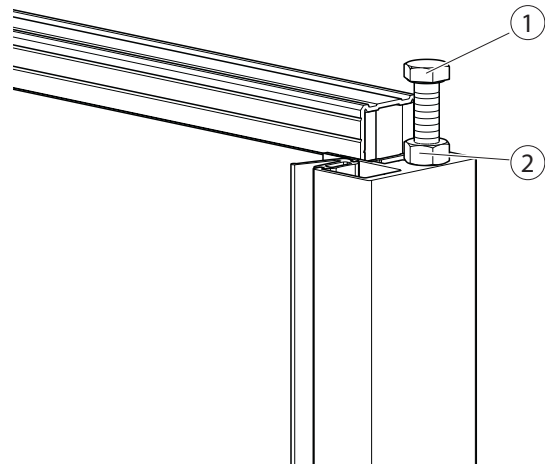


CAUTION

Danger of injury! The glass of the side panels can splinter.

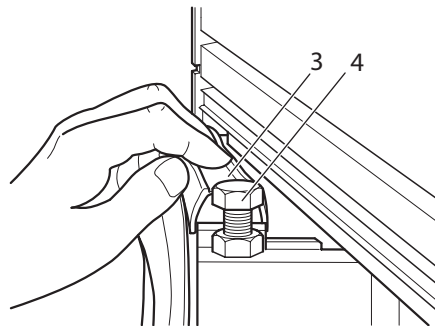
- ▶ Handle the side panels with caution and care.

- ▶ Set up side panel
- ▶ Insert the hexagon nut (2) and the hexagon screw (1).



Insert the glazing rubber

- ▶ Cut the glazing rubber (3) to the length of the glass pane.
- ▶ Clamp the glazing rubber to the top edge of the glass pane.
- ▶ Insert the adjustment screw (4).



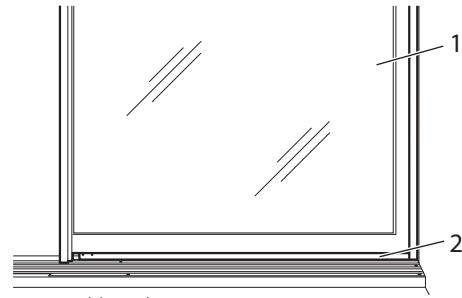
Insert the side panel

Girder section installation:

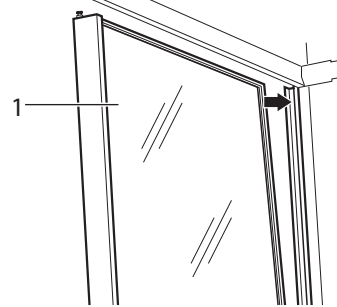
- ▶ Set the pre-mounted side panel (1) onto the floor strip (2) from the outside.

Lintel installation:

- ▶ Set the pre-mounted side panel (1) onto the floor strip (2) from the inside.

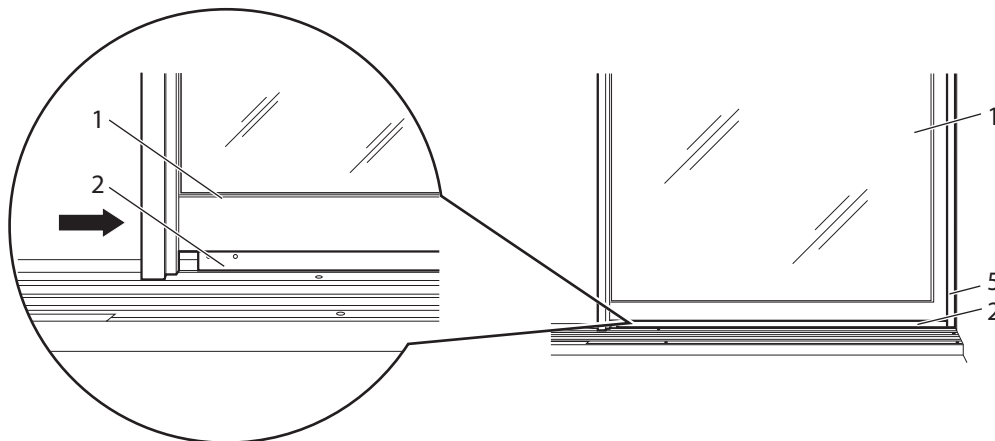


- ▶ Set up/swing in the side element (1) until it contacts the girder section at the top.

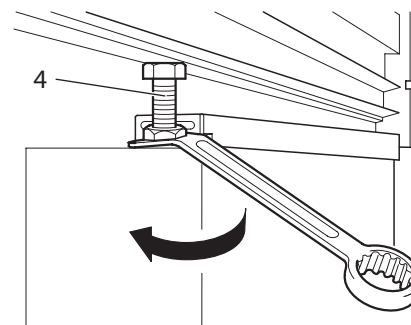


Fasten the side panel

- ▶ Swing the side panel (1) all the way in and slide it into the wall strip (5).

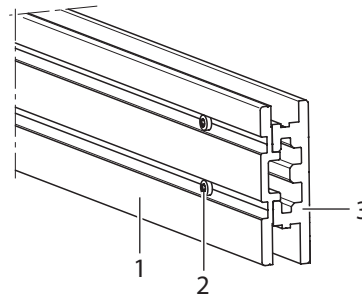


- ▶ Undo the adjustment screw (4) at the top of the side panel until it contacts the girder section.

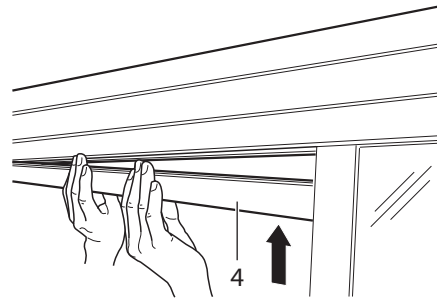


Attach the covers

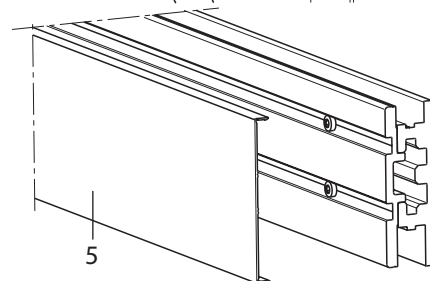
- ▶ Screw the cover (1) to the girder section (3) using Allen screws (2).



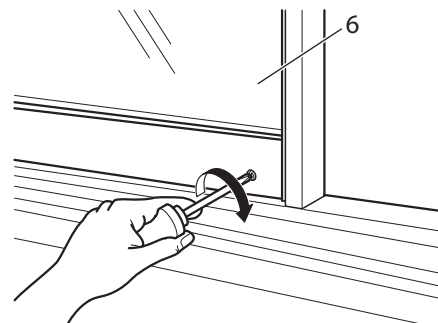
- ▶ Insert the cover panel (4) in the passage area of the door into the girder section from below.



- ▶ Clip the cover (5) onto the girder section.

**Secure the side panel**

- ▶ Insert and tighten the slotted pan head screw BZ 4.8 x 16 at the bottom of the side panel (6). The side element is secured against moving by means of this screw.

**Adjust the floor level clearance and the shadow gap**

- ▶ Adapt the settings of the suspension bolts on the door leaves to each other (see installation instructions for the drive).

Install the fanlights

- ▶ Follow the manufacturer's installation instructions when installing the fanlights.

5.5 Screwing girder section profile B to girder section profile A

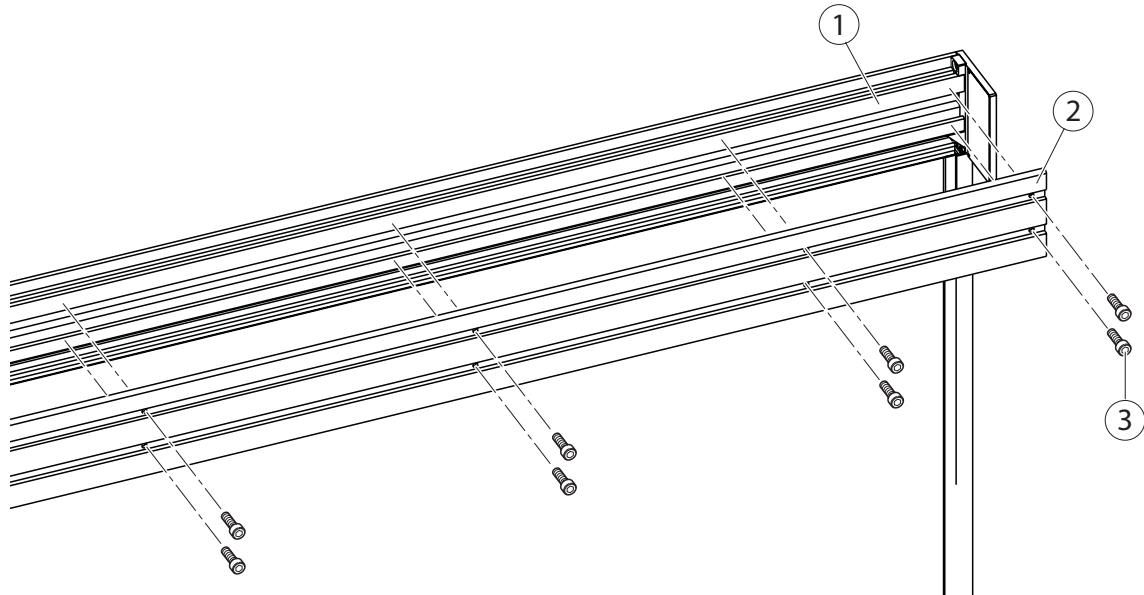


WARNING!

Danger of injury due to falling component

Girder section profile B is very heavy and unwieldy.

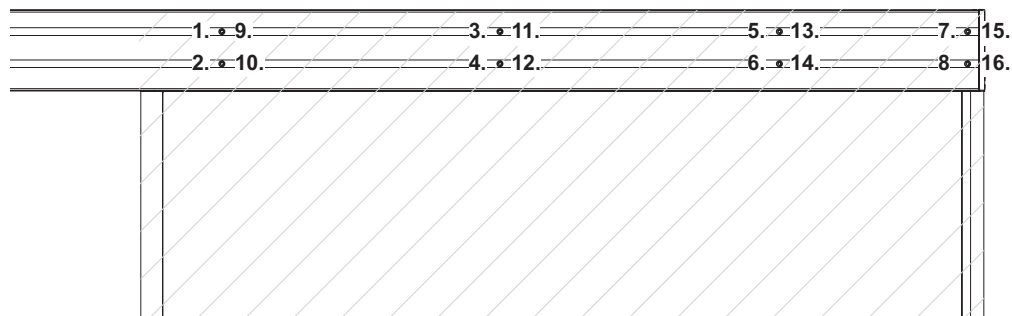
- ▶ At least 3 people should work on the installation of girder section profile B.
- ▶ Do not stand under the girder section during installation.



- ▶ Screw girder section profile B (2) to girder section profile A (1) using screws M6×20 DIN 912 (3) (torque 10 Nm).

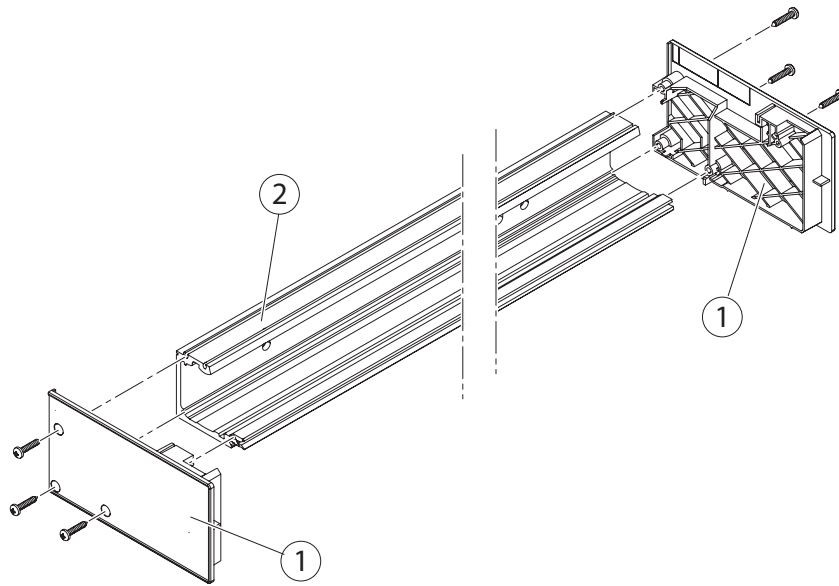
Once the side panel seals have settled, the screws have to be tightened in the hatched area.

- ▶ Tighten the screws in the following order:



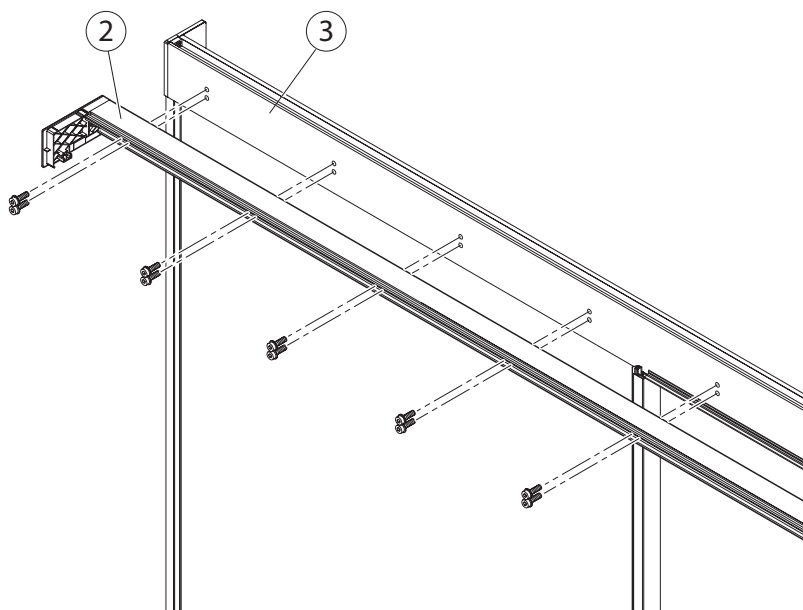
5.6 Installing the track to girder section profile A

5.6.1 Screw the side panels to the track



- Screw the side panels (1) to the track (2) using 3 slotted pan head screws ISO 7049 ST4.8×25 each (torque 5 Nm).

5.6.2 Install the track



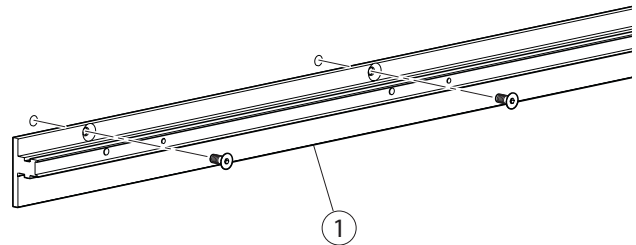
5.7 Lintel installation (installation in front of wall)

**WARNING!**

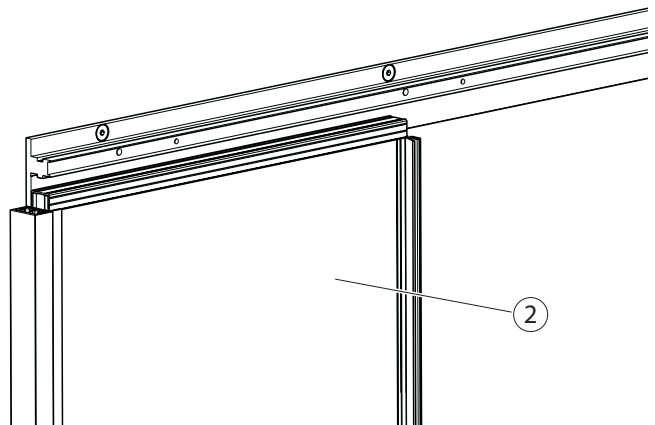
Danger of injury! The profiles are very heavy and can fall.

- ▶ Secure the profiles against falling during installation by using at least two to three persons.

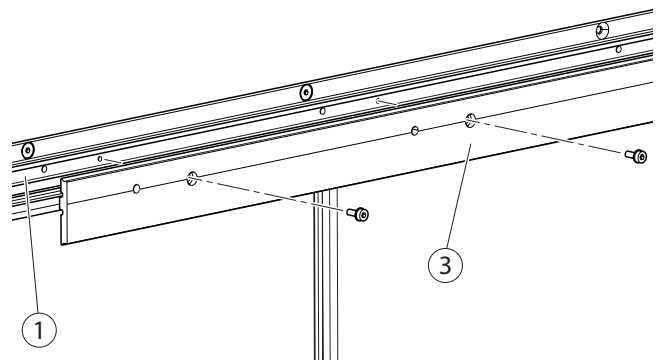
- ▶ Screw the girder section (1) onto the wall.



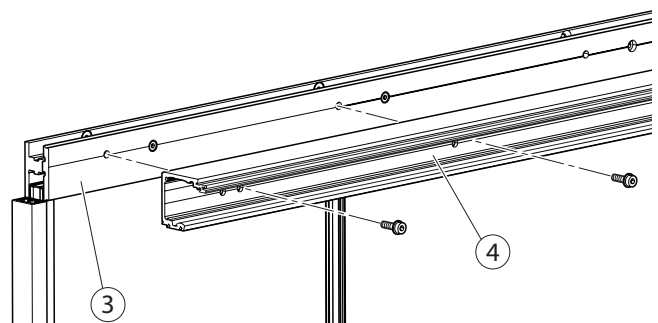
- ▶ Insert and fix the side panel (2).



- ▶ Screw the profile (3) to the girder section (1).



- ▶ Screw the track (4) to the profile (3).



6 Disassembly

**WARNING!**

Danger of injury! Cover is held by a catch mechanism.

- ▶ Only have two people work on removing the cover and lower it carefully using a holding rope.
-

**CAUTION**

Danger of injury! The glass of the side panels can splinter.

- ▶ Handle the side panels with caution and care.
-

**WARNING!**

Danger of injury! The side panels are very heavy and can tilt over.

- ▶ Secure the side panels against tilting during installation.
-

**WARNING!**

Danger of injury! The girder section is very heavy and can fall.

- ▶ Secure girder sections against fall during installation using at least two to three persons.
-

- ▶ Dismantling is carried out in the reverse order to installation.

Germany
GEZE GmbH
Niederlassung Süd-West
Tel. +49 (0) 7152 203 594
E-Mail: leonberg.de@geze.com

GEZE GmbH
Niederlassung Süd-Ost
Tel. +49 (0) 7152 203 6440
E-Mail: muenchen.de@geze.com

GEZE GmbH
Niederlassung Ost
Tel. +49 (0) 7152 203 6840
E-Mail: berlin.de@geze.com

GEZE GmbH
Niederlassung Mitte/Luxemburg
Tel. +49 (0) 7152 203 6888
E-Mail: frankfurt.de@geze.com

GEZE GmbH
Niederlassung West
Tel. +49 (0) 7152 203 6770
E-Mail: duesseldorf.de@geze.com

GEZE GmbH
Niederlassung Nord
Tel. +49 (0) 7152 203 6600
E-Mail: hamburg.de@geze.com

GEZE Service GmbH
Tel. +49 (0) 1802 923392
E-Mail: service-info.de@geze.com

GEZE Industries (Tianjin) Co., Ltd.
Branch Office Beijing
E-Mail: chinasaes@geze.com.cn
www.geze.com.cn

France
GEZE France S.A.R.L.
E-Mail: france.fr@geze.com
www.geze.fr

Austria
GEZE Austria
E-Mail: austria.at@geze.com
www.geze.at

Baltic States
GEZE GmbH Baltic States office
E-Mail: office-latvia@geze.com
www.geze.com

Benelux
GEZE Benelux B.V.
E-Mail: benelux.nl@geze.com
www.geze.be
www.geze.nl

Bulgaria
GEZE Bulgaria - Trade
E-Mail: office-bulgaria@geze.com
www.geze.bg

China
GEZE Industries (Tianjin) Co., Ltd.
E-Mail: chinasaes@geze.com.cn
www.geze.com.cn

GEZE Industries (Tianjin) Co., Ltd.
Branch Office Shanghai
E-Mail: chinasaes@geze.com.cn
www.geze.com.cn

GEZE Industries (Tianjin) Co., Ltd.
Branch Office Guangzhou
E-Mail: chinasaes@geze.com.cn
www.geze.com.cn

GEZE Industries (Tianjin) Co., Ltd.
Branch Office Beijing
E-Mail: chinasaes@geze.com.cn
www.geze.com.cn

France
GEZE France S.A.R.L.
E-Mail: france.fr@geze.com
www.geze.fr

Hungary
GEZE Hungary Kft.
E-Mail: office-hungary@geze.com
www.geze.hu

Iberia
GEZE Iberia S.R.L.
E-Mail: info@geze.es
www.geze.es

India
GEZE India Private Ltd.
E-Mail: office-india@geze.com
www.geze.in

Italy
GEZE Italia S.r.l
E-Mail: italia.it@geze.com
www.geze.it

GEZE Engineering Roma S.r.l
E-Mail: roma@geze.biz
www.geze.it

Poland
GEZE Polska Sp.z o.o.
E-Mail: geze.pl@geze.com
www.geze.pl

Romania
GEZE Romania S.R.L.
E-Mail: office-romania@geze.com
www.geze.ro

Russia
OOO GEZE RUS
E-Mail: office-russia@geze.com
www.geze.ru

Scandinavia – Sweden
GEZE Scandinavia AB
E-Mail: sverige.se@geze.com
www.geze.se

Scandinavia – Norway
GEZE Scandinavia AB avd. Norge
E-Mail: norge.se@geze.com
www.geze.no

Scandinavia – Denmark
GEZE Danmark
E-Mail: danmark.se@geze.com
www.geze.dk

Singapore
GEZE (Asia Pacific) Pte, Ltd.
E-Mail: gezesea@geze.com.sg
www.geze.com

South Africa
GEZE South Africa (Pty) Ltd.
E-Mail: info@gezesa.co.za
www.geze.co.za

Switzerland
GEZE Schweiz AG
E-Mail: schweiz.ch@geze.com
www.geze.ch

Turkey
GEZE Kapı ve Pencere Sistemleri
E-Mail: office-turkey@geze.com
www.geze.com

Ukraine
LLC GEZE Ukraine
E-Mail: office-ukraine@geze.com
www.geze.ua

United Arab Emirates/GCC
GEZE Middle East
E-Mail: gezeme@geze.com
www.geze.ae

United Kingdom
GEZE UK Ltd.
E-Mail: info.uk@geze.com
www.geze.com

GEZE GmbH
Reinhold-Vöster-Straße 21–29
71229 Leonberg
Germany

Tel.: 0049 7152 203 0
Fax.: 0049 7152 203 310
www.geze.com

