

**Technical data**

- Centre opening width approx. 220mm
- Fitting stroke 54mm

**Mounting elements**

Window type	Fixing screws	Drill Ø
Wood	Countersunk wood screws 4x35 DIN 97 o.DIN 7997	2.5mm
Aluminium	Countersunk self-tapping screws 4.2xL DIN7972 o.DIN7982	3.5mm
synthetic	Countersunk self-tapping screws 4.2xL DIN7972 or DIN7982 Screw must go through min.2 profile walls	3.5mm

Fixing screws are not included in the delivery.

**Further installation drawings for GEZE OL95 :**

OL95 with hand lever	40445-EP-02
Installation of swivelling hand lever - additional sheet	40444-0-002
Electric drive E212 horizontal	40445-EP-03
Electric drive E212 vertical	40445-EP-04
Additional locking OL95	40445-EP-10
OL95 for pitched window with gear Fz91 or Fz92	40445-EP-09
OL95 with gear Fz91 or Fz90L/R	40445-EP-05
Crank rods for gears	40444-0-011

**Ordering requirement\* for pitched windows OL95 with hand lever**

	Fitting parts (see BOM)		
	Aluminium/synthetic window	Wooden window	Wooden window
A	A	B	D
C	A	C	D

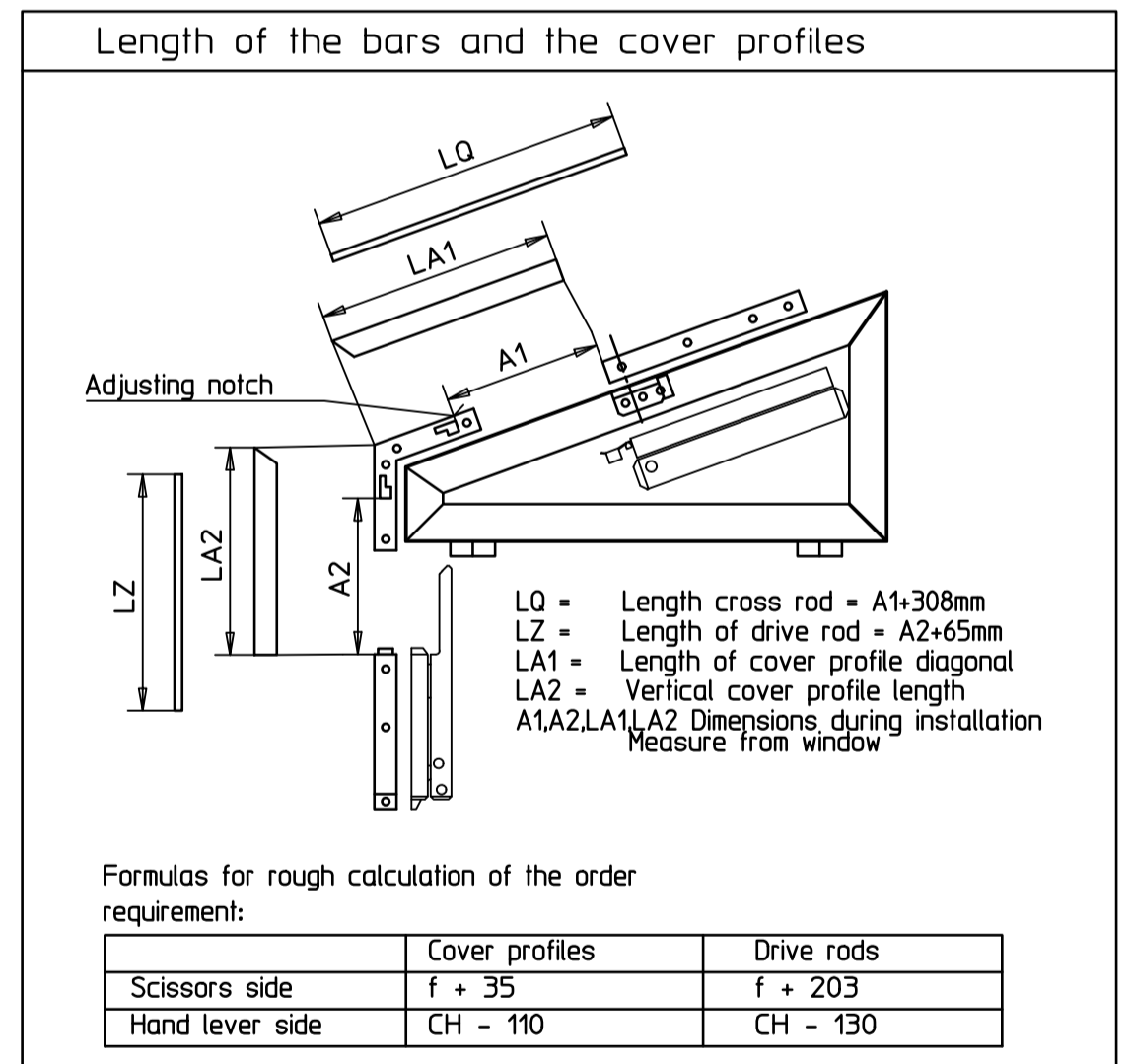
\* Cover profile and rod must be ordered separately

**window shapes and permissible dimensions**

Pitched window

Triangular window

Bracket	b min.	a min.	a1 min.
up to 30°	500	500	1000
30 - 40°	660	450	900
40 - 50°	780	400	800



**Area of application**

The opening width of the OL95 scissors is approx. 220mm, the fitting stroke is 54mm. Only 1 scissors may be fitted per window. The OL95 can be used for vertically installed windows with bottom-hung casement inward opening in dry interiors. All other applications must be requested from the factory.

Panel weight	Max. permissible Casement width a
bis 20 kg/m <sup>2</sup>	1200 mm
bis 25 kg/m <sup>2</sup>	1100 mm
bis 30 kg/m <sup>2</sup>	1000 mm

Provided that the range of application of the OL 95 (see table) is not exceeded, the total casement weight must not exceed 60 kg.

- Important information:**
- Installation drawing, installation instructions, maintenance and operating instructions must be observed.
  - The specified area of application must be observed.
  - The prescribed fitting dimensions must be observed.
  - The prescribed mounting elements must be used.
  - In order to avoid injuries, protective caps must be turned on projecting threads of the fixing screws.
  - Fittings are drawn in the closed position, but assembly is carried out in the open position.
  - All fixing screws must be tightened in the open position with an Allen key SW3 with 5Nm.
  - After assembly and before commissioning, the function of tightening all fixing screws must be checked, and all fixing screws must be tightened again.
  - The joints and sliding points must be greased with an acid-free grease in accordance with DN 51625.
  - The free accessibility of the fitting parts for greasing and maintenance must be ensured in accordance with DN 18357.
  - If rods and cover profiles from other manufacturers are used, GEZE assumes no warranty and no liability for the resulting damage and consequential damage.
  - From a free rod length of 600mm, rod guides must be used.
  - The use of a suitable safety catch is prescribed for bottom-hung windows (see GEZE gripping and cleaning scissors).
  - Only one scissors with sliding casement bracket may be fitted.
  - Additional locking devices are recommended for window widths over 1000 mm.
  - The corner angle may only be bent by hand, repeated bending back and forth is to be avoided.
  - For assembly, observe dimension "Q" from the end of the scissors bearing to the reveal Q = min. 230 mm

	D-dimension top	Clearance Y top
with additional locking	12 to 18mm	D + 9mm D + 9mm
Deviation	D-dimension side	Side clearance X
Hand lever	min. 10mm	D + 10mm

Pos.	Name	Ident no. for version:					Pc.
		EV1	dark bronze	white RAL9010	white RAL9016	RAL...	
A	Scissors OL95 without casement bracket	84194	84195	84196	84197	84199	5
1	Content:						
2	Scissors OL95						
3	Scissors base						
6	Rod guide						
8	Connection						
B	Casement bracket for special window shape	84398	84399	84400	84401	84403	3
3	Content:						
7	Casement bracket						
13	Screw plate long						
13	Protective cap						
C	Casement bracket for sliding wooden window F=45	71198	71199	71200	71202	71201	3
10	Content:						
7	Casement bracket for wooden window						
1	Screw plate long						
D	Hand lever with bendable corner transmission	76911	76912	76913	76915	76916	7
4	Content:						
1	Bendable corner transmission						
5	Hand lever OL90 N						
6	Rod guide						
<b>Rods and cover profiles</b>							
	Cover profile L=2m *	30401	30402	30403	30405	30404	
	Cover profile L=3m *	30396	30397	30398	30400	30399	
	Cover profile L=6m	27558	27559	27560	27561		
	Rod Ø8 galvanised L=2m				16555		
	Rod Ø8 galvanised L=3m				16591		
	Rod Ø8 galvanised L=6m				16592		
<b>Accessories</b>							
	(Must be ordered separately)						
11	Drilling template OL90N/OL95		for wood 54799 yellow		for plastic/metal 54800 blue		
12	Additional drilling template OL90N for wooden windows F=45			28141			
9	Rod coupling OL90 N			43546			
6	Rod guide			10878			leaf

\* Cover profile mitre cut on both sides

GEZE		GEZE GmbH		Benennung / designation	
P.O. Box 19 63		7226 Leutberg		OL95 for pitched window	
Germany				with hand lever	
vertraulich / confidential					
ersch./drawn	18.10.21	Name	Blatt / von	Material-Nr.	
Fig. Prod./Rel. Prod.	20.10.21	u/270	1/1	D-No.	
		u/270			
Rg. Prod./Rel. Prod.				Zeichnungs-Nr. / document-no.	
				40445-EP-08	