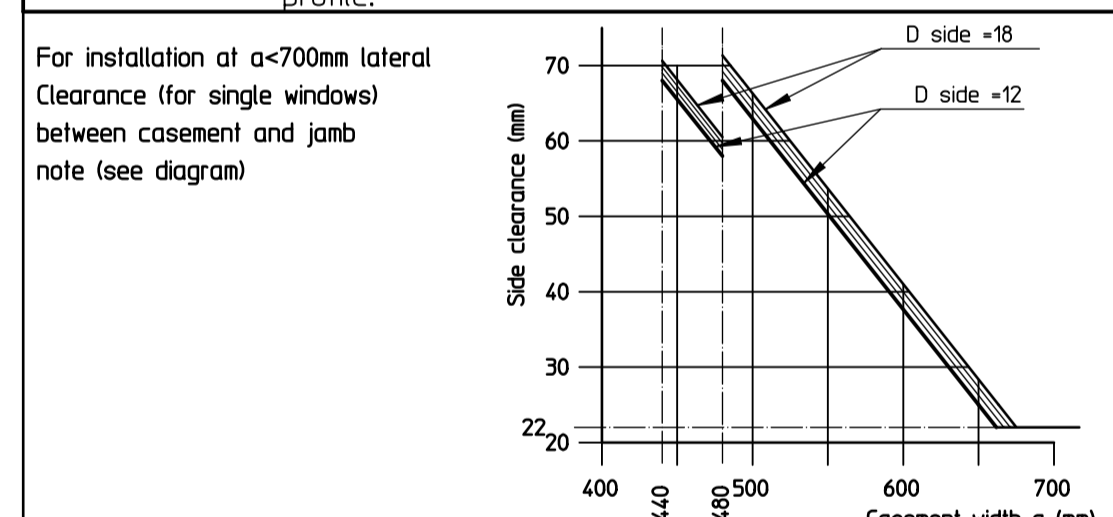
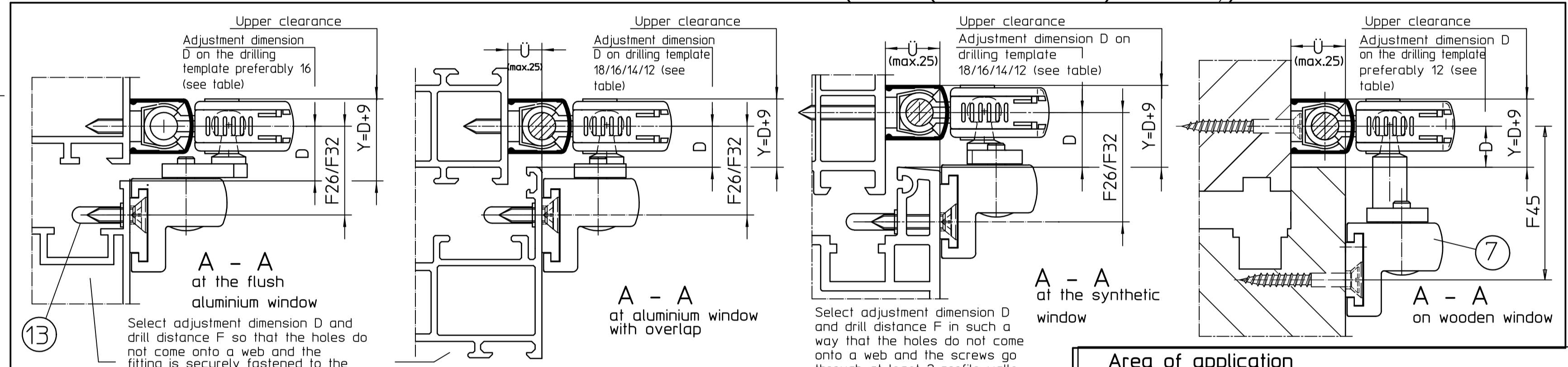
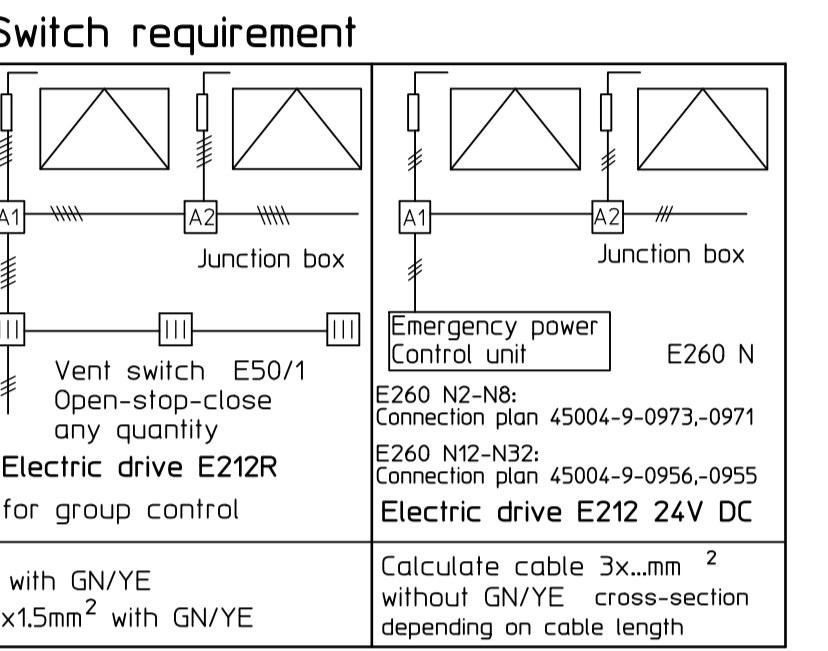


Technical data

- Opening width approx. 220mm
- Fitting stroke 54mm
- Motor stroke adjustable from 42 to 66mm
- Further technical data of the electric drive see wiring diagram 45109/9-950 (for E212R) and 45109/9-959 (for E212R1)



Casement width a f-dimensions

Casement width a	f-dimensions
440-480	f1=a/2+D-50
480-1200	f1=a/2+D-30

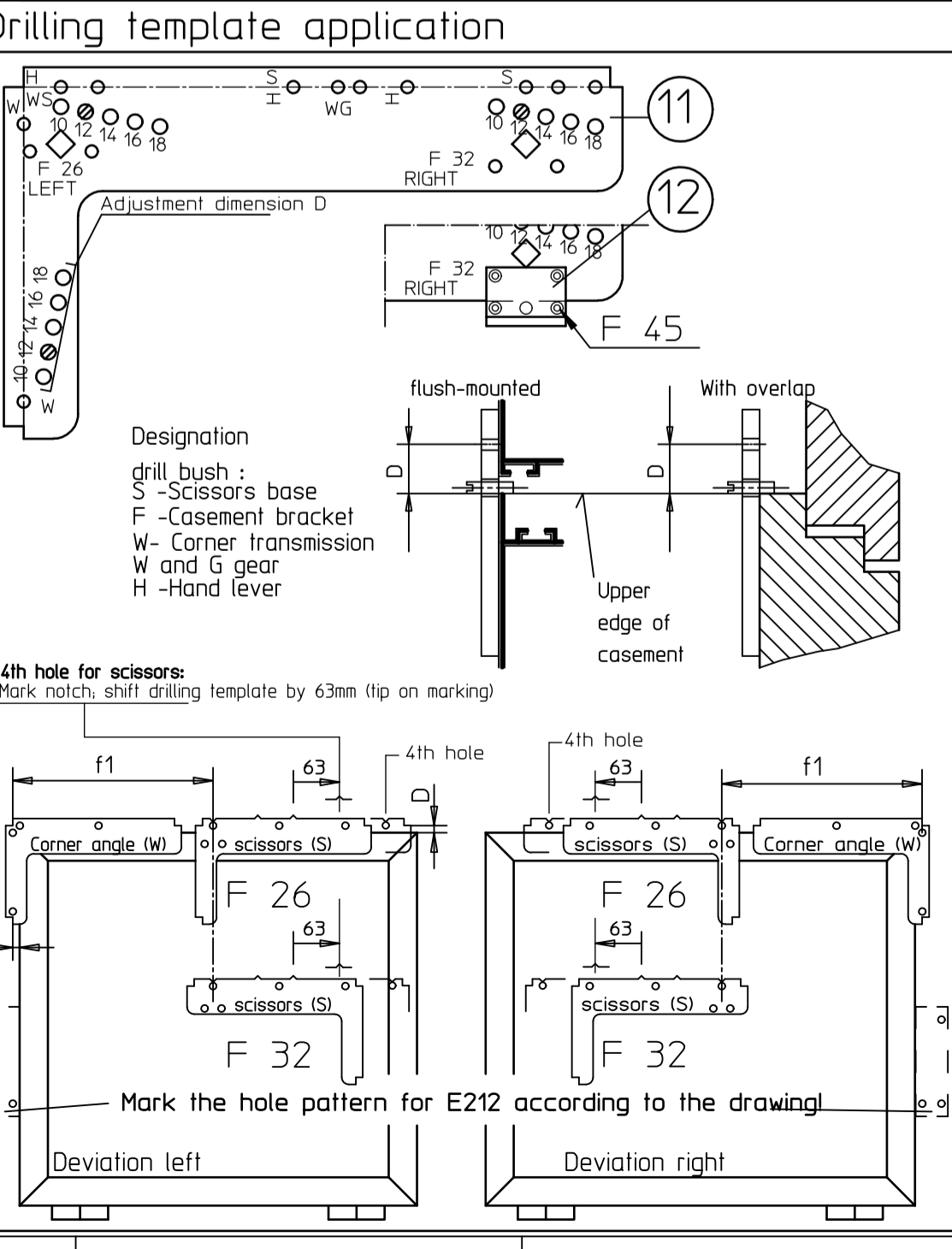
(from a=1025 also 2 scissors possible)

Area of application

The opening width of the OL95 scissors is approx. 220mm, the fitting stroke is 54mm. The OL95 can be used for vertically installed rectangular windows with bottom order top-hung casements inward opening in dry interiors. All other applications must be requested from the factory.

Total casement width a	Panel weight
up to 1600mm	max. 30 kg/m ²
up to 1900mm	max. 25 kg/m ²
up to 2400mm	max. 20 kg/m ²

Provided that the application range of the OL95 (see table) is not exceeded, up to 3 scissors may be mounted per motor. The total casement weight must not exceed 60 kg. In order to ensure the necessary driving rain safety of the window according to DIN 18055 for the respective application, we recommend the installation of 2 scissors from a=1050mm or 3 scissors from a=1550mm.



For 1 casement

Casement width a	f-dimensions
1025-2400	f1=a/3+D-100 f2=a/2-10
1530-2400	f1=a/4+D-120 f2=a/3-7 f3=a/3-7

(For restrictions refer to table)

In the case of several casements

Total casement width a	f-dimensions
f1-min.180	
f2-min.502	
f3-min.502	
a = max.2400	

a = 1530-2400

When using the additional locking, attach with D=16mm!

Casement height b	top D
350 to 400mm	18mm
401 to 450mm	16 to 18mm
451 to 600	14 to 18mm
from 601mm	12 to 18mm

Important information:

- Installation drawing, wiring diagram, installation instructions, maintenance and operating instructions as well as the guidelines for power-operated windows, doors and gates (ZH/494) must be observed.
- The specified area of application must be observed.
- The prescribed fitting dimensions must be observed.
- The prescribed mounting elements must be used.
- In order to avoid injuries, protective caps must be turned on projecting threads of the fixing screws.
- Fittings are drawn in the closed position, but assembly is carried out in the open position.
- All fixing screws must be tightened in the open position with an Allen key SW3 with 5Nm.
- After assembly and before commissioning, the function of tightening all fixing screws must be checked, and all fixing screws must be tightened again.
- The joints and sliding points must be greased with an acid-free grease in accordance with DIN 51825.
- The free accessibility of the fitting parts for greasing and maintenance must be ensured in accordance with DIN 18357.
- If rods and cover profiles from other manufacturers are used, GEZE assumes no warranty and no liability for the resulting damage and consequential damage.
- From a free rod length of 600mm, rod guides must be used.
- The use of a suitable safety catch is prescribed for bottom-hung windows (see GEZE gripping and cleaning scissors).
- After reaching the end positions (open and closed) the operating light must extinguish immediately. For assembly, observe dimension 'Y' from the end of the scissors bearing to the reveal Q - min. 230 mm.

Order requirement * for OL95 including...

Order requirement * for OL95 including...	Fitting parts (see BOM)										
	A	B	C	C1	D	E	F	G	H	J	
Electric drive E 212 R1 for group control (see switching requirement)	X	X*			X	X	X**				
Electric drive E212R for group control (see switching requirement)	X	X*	X	X	X	X	X**				
Electric drive E212 24V for group control (see switching requirement)	X	X*	X	X	X	X	X**				

X* - up to 4 scissors per motor
X** - Group control up to max.6 motors Cover profile and rod must be ordered separately

Name	Ident no. for version:				Pc.	
	EV1	dark bronze	white RAL9010	white RAL9016		
A 11 Corner transmission OL90				70546	4	
B 1 Scissors OL95	82445	82446	82447	82448	82449	7
C 1 Scissors OL95 without casement bracket	84194	84195	84196	84197	84199	5
D 1 Casement bracket for wooden window with Euro-groove F=45	30886	30887	30888	30890	30889	2
E 1 Electric drive E212R1 for group control	20835	20836	20837	20839	20838	3
F 1 Selector switch E33 surface mounting				48941		
G 1 Electric drive E212R for group control	05428	05429	05430	15435	06683	3
H 1 Vent switch E50/1				06575		
J 1 Electric drive E212 24V	10899	10901	10911	15540	10915	3

Rods and cover profiles

Cover profile	L=2m *	L=3m *	L=4m *	L=6m *
Cover profile L=2m *	30401	30402	30403	30405
Cover profile L=3m *	30396	30397	30398	30400
Cover profile L=6m *	27558	27559	27560	27561

Accessories

Accessories	for wood	for plastic/metal
Drilling template OL90N/OL95	54799 yellow	54800 blue
Additional drilling template OL90N for wooden windows F=45		28141
Rod guide		10878